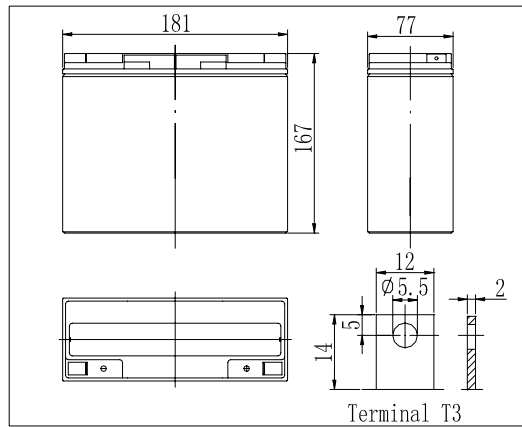
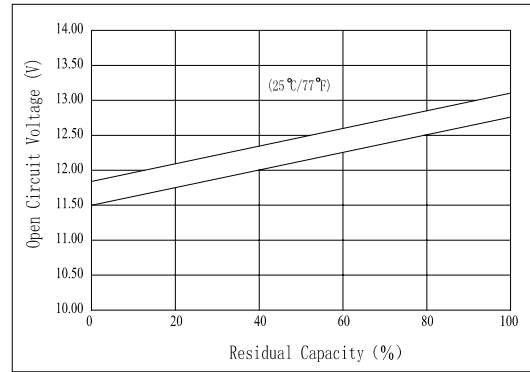


**Dimensions**



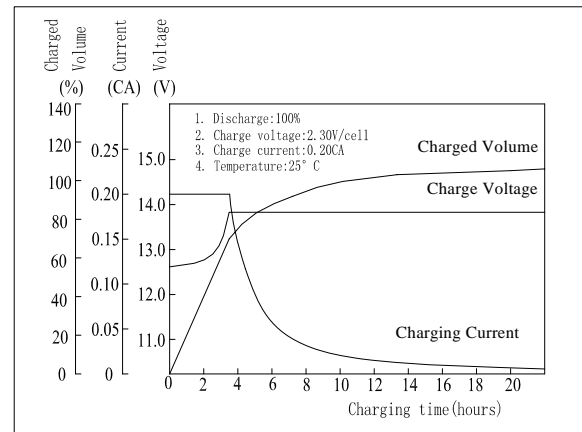
**The Relationship for Open Circuit Voltage and Residual Capacity (25°C)**



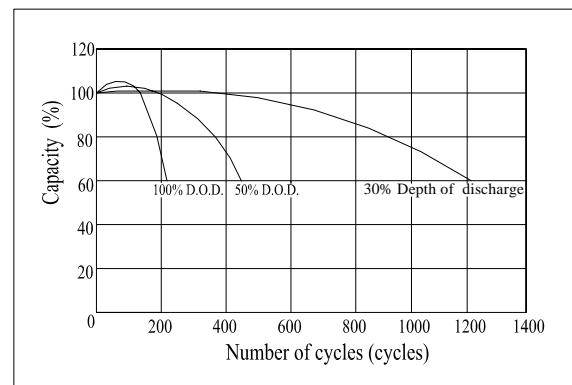
**Specifications**

Nominal Voltage	12 V	
Capacity(20HR, 25°C)	15 Ah	
Dimension	Length	181mm (7.13inch)
	Width	77mm (3.03inch)
	Height	167mm (6.57inch)
	Total Height	167mm (6.57inch)
Approx. Weight	4.70kg (10.4lbs)	
Internal resistance (Fully charged, 25°C)	Approx. 18mΩ	
Capacity affected by temperature (20HR)	40°C	102%
	25°C	100%
	0°C	85%
	-15°C	65%
Self-discharge (25°C)	3 month	Remaining Capacity: 91%
	6 month	Remaining Capacity: 82%
	12 month	Remaining Capacity: 65%
Nominal operating temperature	25°C ± 3°C (77°F ± 5°F)	
Operating temperature range	-15°C ~ 50°C (5°F ~ 122°F)	
Float charging voltage(25°C)	13.60 to 13.80V	
Cyclic charging voltage(25°C)	14.50 to 14.90V	
Maximum charging current	4.5A	
Terminal material	Copper	
Maximum discharge current	225A(5 sec.)	

**Charging Characteristics(25°C)**



**Cycle Life(25°C)**



Note: Floating life at 20°C designed for 3 to 5 years.

- ◆ Absorbent glass mat technology;
- ◆ Recognized by UL & CE;
- ◆ ABS container.

**Constant Current Discharge Characteristics (A, 25°C)**

F.V/TIME	5min	10min	15min	30min	60min	3h	5h	10h	20h
9.60V	57.0	36.0	28.5	16.5	9.75	3.81	2.59	1.40	0.76
10.2V	54.2	34.2	27.4	15.8	9.36	3.75	2.55	1.39	0.75
10.8V	50.9	32.1	26.0	15.0	8.89	3.68	2.50	1.38	0.75

**Constant Power Discharge Characteristics (Watt, 25°C)**

F.V/TIME	5min	10min	15min	30min	60min	3h	5h	10h	20h
9.60V	636	406	325	189	113	45.2	30.9	16.8	9.14
10.2V	604	386	312	182	108	44.6	30.4	16.7	9.05
10.8V	568	363	296	172	103	43.7	29.8	16.7	9.00