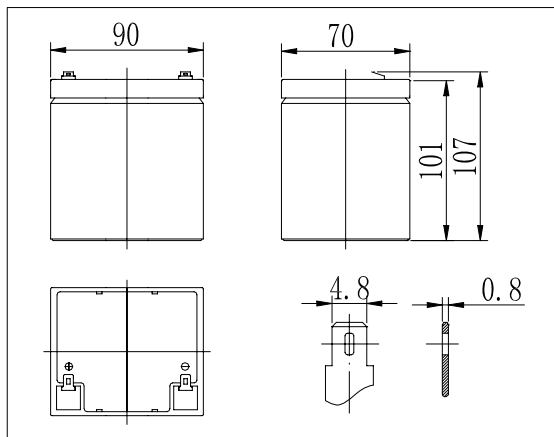


Dimensions



Specifications

Nominal Voltage	12 V	
Capacity(20HR, 25°C)	4 Ah	
Dimension	Length	90mm (3.54inch)
	Width	70mm (2.76inch)
	Height	101mm (3.98inch)
	Total Height	107mm (4.21inch)
Approx. Weight	1.40kg (3.07lbs)	
Internal resistance (Fully charged, 25°C)	Approx. 45mΩ	
Capacity affected by temperature (20HR)	40°C	102%
	25°C	100%
	0°C	85%
	-15°C	65%
Self-discharge (25°C)	3 month	Remaining Capacity: 91%
	6 month	Remaining Capacity: 82%
	12 month	Remaining Capacity: 65%
Nominal operating temperature	25°C ± 3°C (77°F ± 5°F)	
Operating temperature range	-15°C ~ 50°C (5°F ~ 122°F)	
Float charging voltage(25°C)	13.60 to 13.80V	
Cyclic charging voltage(25°C)	14.50 to 14.90V	
Maximum charging current	1.2A	
Terminal material	Copper	
Maximum discharge current	60A(5 sec.)	

- ◆ Absorbent glass mat technology;
- ◆ Recognized by UL & CE;
- ◆ ABS container.

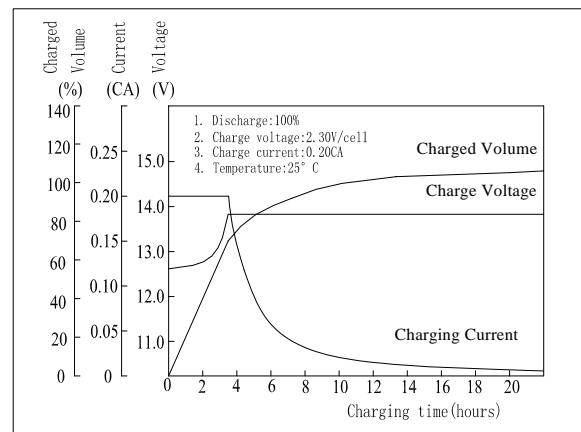
Constant Current Discharge Characteristics (A, 25°C)

F.V/TIME	5min	10min	15min	30min	60min	3h	5h	10h	20h
9.60V	14.4	9.20	7.82	4.30	2.64	0.97	0.69	0.38	0.20
10.2V	13.7	8.74	7.51	4.13	2.53	0.96	0.68	0.38	0.20
10.8V	12.9	8.22	7.13	3.92	2.40	0.94	0.67	0.37	0.20

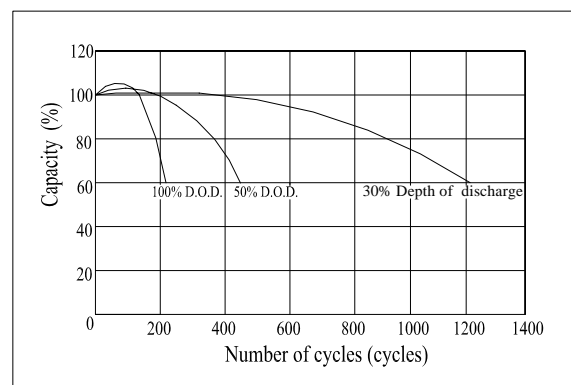
Constant Power Discharge Characteristics (Watt, 25°C)

F.V/TIME	5min	10min	15min	30min	60min	3h	5h	10h	20h
9.60V	161	104	89.1	49.3	30.6	11.5	8.24	4.51	2.40
10.2V	153	98.6	85.6	47.3	29.3	11.4	8.12	4.47	2.40
10.8V	144	92.7	81.3	44.9	27.8	11.2	8.00	4.47	2.40

Charging Characteristics(25°C)



Cycle Life(25°C)



Note: Floating life at 20°C designed for 3 to 5 years.