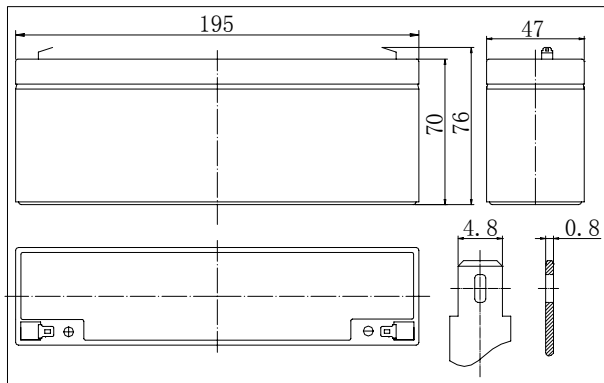
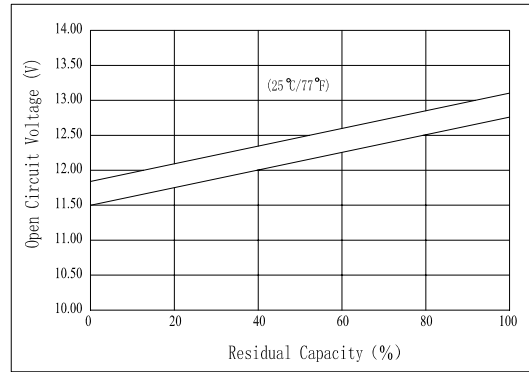


Dimensions



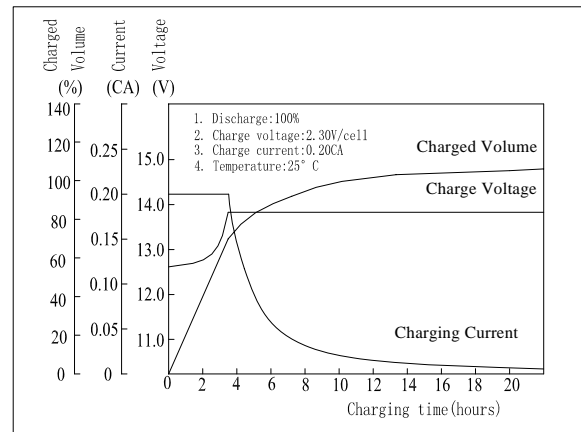
The Relationship for Open Circuit Voltage and Residual Capacity (25°C)



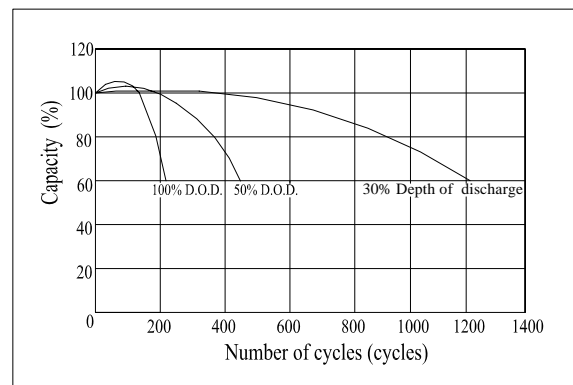
Specifications

Nominal Voltage		12 V
Capacity(20HR, 25°C)		4.5Ah
Dimension	Length	195mm (7.68inch)
	Width	47mm (1.85inch)
	Height	70mm (2.76inch)
	Total Height	76mm (2.99inch)
Approx. Weight		1.62kg (3.57lbs)
Internal resistance (Fully charged, 25°C)		Approx. 40mΩ
Capacity affected by temperature (20HR)	40°C	102%
	25°C	100%
	0°C	85%
	-15°C	65%
Self-discharge (25°C)	3 month	Remaining Capacity: 91%
	6 month	Remaining Capacity: 82%
	12 month	Remaining Capacity: 65%
Nominal operating temperature		25°C ± 3°C (77°F ± 5°F)
Operating temperature range		-15°C ~ 50°C (5°F ~ 122°F)
Float charging voltage(25°C)		13.60 to 13.80V
Cyclic charging voltage(25°C)		14.50 to 14.90V
Maximum charging current		1.35A
Terminal material		Copper
Maximum discharge current		67.5A(5 sec.)

Charging Characteristics(25°C)



Cycle Life(25°C)



- ◆ Absorbent glass mat technology;
- ◆ Recognized by UL & CE;
- ◆ ABS container.

Note: Floating life at 20°C designed for 3 to 5 years.

Constant Current Discharge Characteristics (A, 25°C)

F.V/TIME	5min	10min	15min	30min	60min	3h	5h	10h	20h
9.60V	17.1	10.8	8.55	4.95	2.93	1.14	0.78	0.42	0.228
10.2V	16.2	10.3	8.21	4.75	2.81	1.13	0.77	0.42	0.226
10.8V	15.3	9.64	7.80	4.51	2.67	1.10	0.75	0.41	0.225

Constant Power Discharge Characteristics (Watt, 25°C)

F.V/TIME	5min	10min	15min	30min	60min	3h	5h	10h	20h
9.60V	191	122	97.5	56.7	33.9	13.6	9.27	5.04	2.74
10.2V	181	116	93.6	54.5	32.5	13.4	9.13	5.00	2.72
10.8V	170	109	88.9	51.7	30.9	13.1	8.95	5.00	2.70