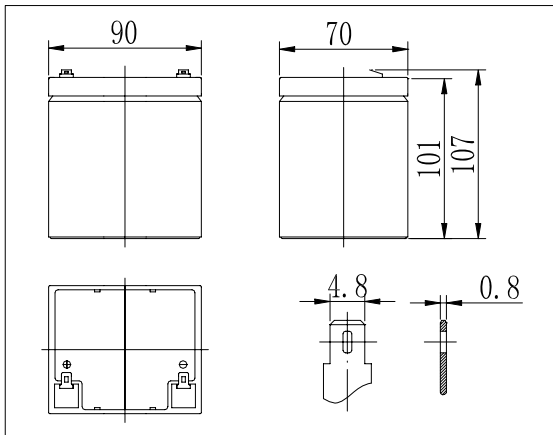


Dimensions



Specifications

| | | |
|-------------------------------------------|----------------------------|-------------------------|
| Nominal Voltage | 12 V | |
| Capacity(20HR, 25°C) | 6 Ah | |
| Dimension | Length | 90mm (3.54inch) |
| | Width | 70mm (2.76inch) |
| | Height | 101mm (3.98inch) |
| | Total Height | 107mm (4.21inch) |
| Approx. Weight | 1.80kg (3.97lbs) | |
| Internal resistance (Fully charged, 25°C) | Approx. 32mΩ | |
| Capacity affected by temperature (20HR) | 40°C | 102% |
| | 25°C | 100% |
| | 0°C | 85% |
| | -15°C | 65% |
| Self-discharge (25°C) | 3 month | Remaining Capacity: 91% |
| | 6 month | Remaining Capacity: 82% |
| | 12 month | Remaining Capacity: 65% |
| Nominal operating temperature | 25°C ± 3°C (77°F ± 5°F) | |
| Operating temperature range | -15°C ~ 50°C (5°F ~ 122°F) | |
| Float charging voltage(25°C) | 13.60 to 13.80V | |
| Cyclic charging voltage(25°C) | 14.50 to 14.90V | |
| Maximum charging current | 1.8A | |
| Terminal material | Copper | |
| Maximum discharge current | 90A(5 sec.) | |

- ◆ Absorbent glass mat technology;
- ◆ Recognized by UL & CE;
- ◆ ABS container.

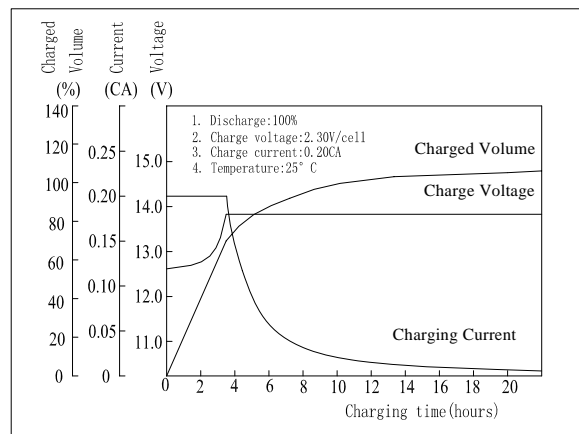
Constant Current Discharge Characteristics (A, 25°C)

| F.V/TIME | 5min | 10min | 15min | 30min | 60min | 3h | 5h | 10h | 20h |
|----------|------|-------|-------|-------|-------|------|------|------|------|
| 9.60V | 25.2 | 16.0 | 12.5 | 6.80 | 3.90 | 1.47 | 0.97 | 0.52 | 0.30 |
| 10.2V | 24.2 | 15.2 | 12.0 | 6.53 | 3.70 | 1.45 | 0.96 | 0.52 | 0.30 |
| 10.8V | 22.8 | 14.3 | 11.4 | 6.20 | 3.60 | 1.42 | 0.94 | 0.51 | 0.28 |

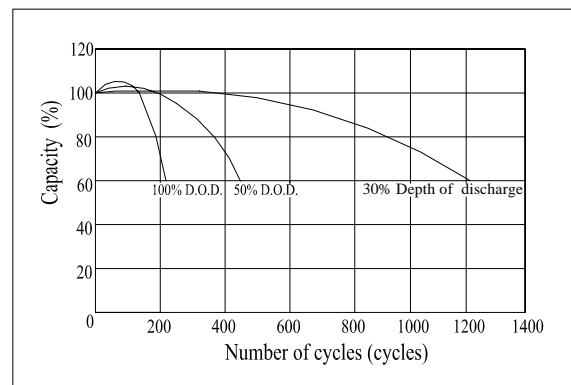
Constant Power Discharge Characteristics (Watt, 25°C)

| F.V/TIME | 5min | 10min | 15min | 30min | 60min | 3h | 5h | 10h | 20h |
|----------|------|-------|-------|-------|-------|------|------|------|------|
| 9.60V | 285 | 180 | 143 | 77.9 | 45.2 | 17.5 | 11.6 | 6.24 | 3.60 |
| 10.2V | 270 | 171 | 137 | 74.8 | 43.4 | 17.2 | 11.5 | 6.24 | 3.60 |
| 10.8V | 254 | 161 | 130 | 71.1 | 41.2 | 16.9 | 11.2 | 6.12 | 3.36 |

Charging Characteristics(25°C)



Cycle Life(25°C)



Note: Floating life at 20°C designed for 3 to 5 years.