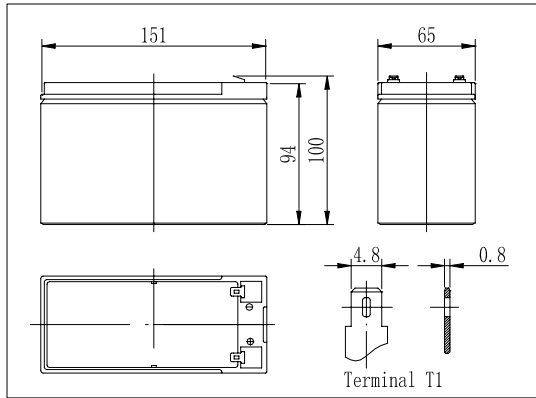


**Dimensions**



**Specifications**

Nominal Voltage	12 V	
Capacity(20HR, 25°C)	7 Ah	
Dimension	Length	151mm (5.94inch)
	Width	65mm (2.56inch)
	Height	94mm (3.70inch)
	Total Height	100mm (3.94inch)
Approx. Weight	2.35kg (5.18lbs)	
Internal resistance (Fully charged, 25°C)	Approx. 25mΩ	
Capacity affected by temperature (20HR)	40°C	102%
	25°C	100%
	0°C	85%
	-15°C	65%
Self-discharge (25°C)	3 month	Remaining Capacity: 91%
	6 month	Remaining Capacity: 82%
	12 month	Remaining Capacity: 65%
Nominal operating temperature	25°C ± 3°C (77°F ± 5°F)	
Operating temperature range	-15°C ~ 50°C (5°F ~ 122°F)	
Float charging voltage(25°C)	13.60 to 13.80V	
Cyclic charging voltage(25°C)	14.50 to 14.90V	
Maximum charging current	2.1A	
Terminal material	Copper	
Maximum discharge current	105A(5 sec.)	

- ◆ Absorbent glass mat technology;
- ◆ Recognized by UL & CE;
- ◆ ABS container.

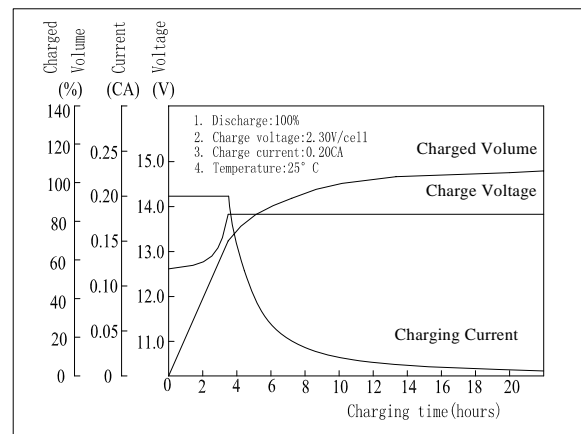
**Constant Current Discharge Characteristics (A, 25°C)**

F.V/TIME	5min	10min	15min	30min	60min	3h	5h	10h	20h
9.60V	27.0	18.0	14.0	8.40	4.70	1.73	1.15	0.71	0.37
10.2V	25.7	17.1	13.4	8.06	4.55	1.70	1.13	0.70	0.36
10.8V	24.2	16.1	12.7	7.66	4.35	1.65	1.10	0.68	0.35

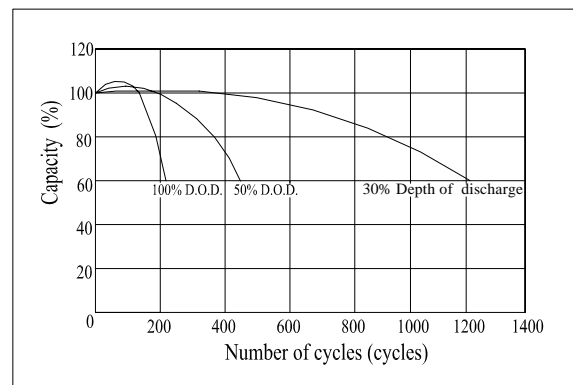
**Constant Power Discharge Characteristics (Watt, 25°C)**

F.V/TIME	5min	10min	15min	30min	60min	3h	5h	10h	20h
9.60V	301	203	160	94.2	54.4	20.6	13.8	8.52	4.43
10.2V	287	191	153	90.4	52.7	20.2	13.6	8.40	4.33
10.8V	270	180	145	86.0	50.4	19.6	13.2	8.17	4.21

**Charging Characteristics(25°C)**



**Cycle Life(25°C)**



Note: Floating life at 20°C designed for 3 to 5 years.