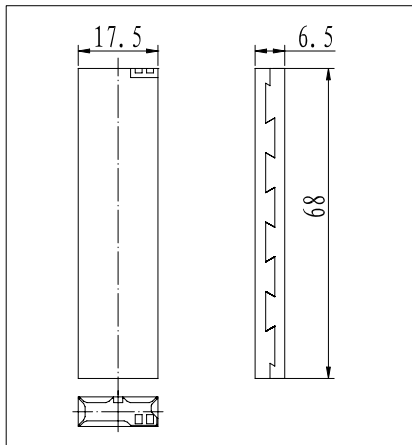
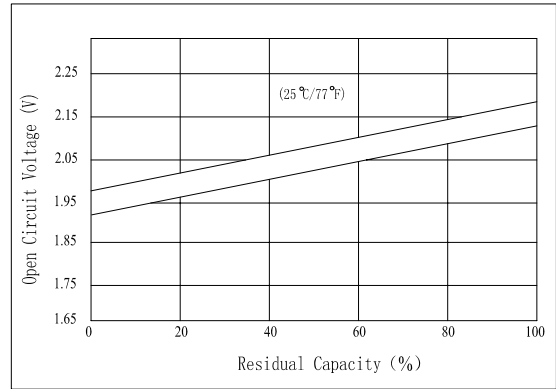


Dimensions



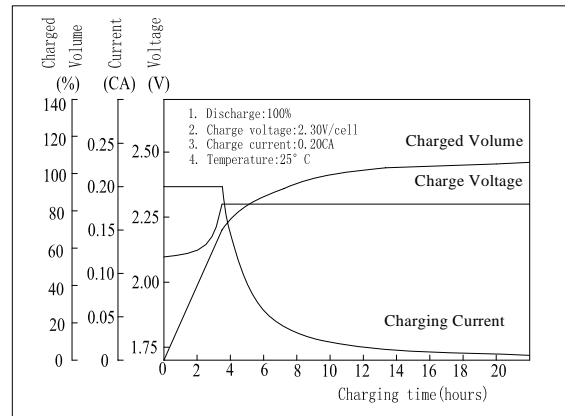
The Relationship for Open Circuit Voltage and Residual Capacity (25°C)



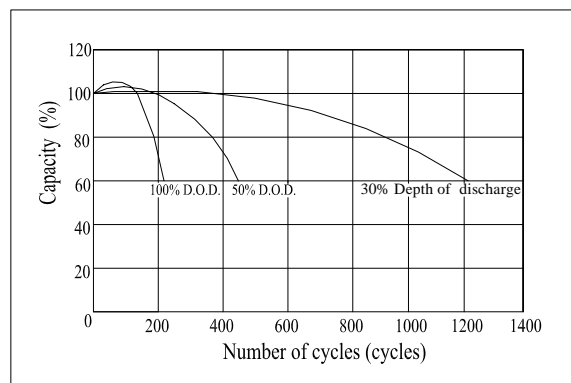
Specifications

Nominal Voltage	2 V	
Capacity(20HR, 25°C)	0.3 Ah	
Dimension	Length	17.5mm (0.69inch)
	Width	6.5mm (0.26inch)
	Height	68mm (2.68inch)
	Total Height	68mm (2.68inch)
Approx. Weight	0.02kg (0.04lbs)	
Internal resistance (Fully charged, 25°C)	Approx. 80mΩ	
Capacity affected by temperature (20HR)	40°C	102%
	25°C	100%
	0°C	85%
	-15°C	65%
Self-discharge (25°C)	3 month	Remaining Capacity: 91%
	6 month	Remaining Capacity: 82%
	12 month	Remaining Capacity: 65%
Nominal operating temperature	25°C ± 3°C (77°F ± 5°F)	
Operating temperature range	-15°C ~ 50°C (5°F ~ 122°F)	
Float charging voltage(25°C)	2.27 to 2.30V	
Cyclic charging voltage(25°C)	2.42 to 2.48V	
Maximum charging current	0.09A	
Terminal material	Copper	
Maximum discharge current	4.5A(5 sec.)	

Charging Characteristics(25°C)



Cycle Life(25°C)



Note: Floating life at 20°C designed for 3 to 5 years.

- ◆ Absorbent glass mat technology;
- ◆ Recognized by UL & CE;
- ◆ ABS container.

Constant Current Discharge Characteristics (A, 25°C)

F.V/TIME	5min	10min	15min	30min	60min	3h	5h	10h	20h
1.60V	0.85	0.51	0.43	0.25	0.15	0.07	0.04	0.026	0.015
1.70V	0.81	0.48	0.41	0.24	0.14	0.07	0.04	0.026	0.015
1.80V	0.76	0.46	0.39	0.23	0.14	0.07	0.04	0.026	0.015

Constant Power Discharge Characteristics (Watt, 25°C)

F.V/TIME	5min	10min	15min	30min	60min	3h	5h	10h	20h
1.60V	1.58	0.96	0.82	0.48	0.29	0.14	0.08	0.05	0.03
1.70V	1.50	0.91	0.78	0.46	0.28	0.14	0.08	0.05	0.03
1.80V	1.41	0.86	0.75	0.44	0.26	0.14	0.08	0.05	0.03