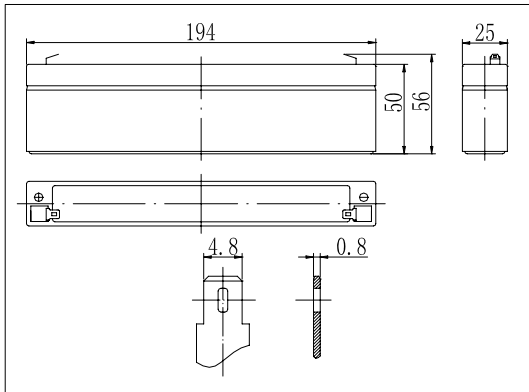


**Dimensions**



**Specifications**

Nominal Voltage	6 V	
Capacity(20HR, 25°C)	3.5 Ah	
Dimension	Length	194mm (7.64inch)
	Width	25mm (0.98inch)
	Height	50mm (1.97inch)
	Total Height	56mm (2.20inch)
Approx. Weight	0.62kg (1.37lbs)	
Internal resistance (Fully charged, 25°C)	Approx. 35mΩ	
Capacity affected by temperature (20HR)	40°C	102%
	25°C	100%
	0°C	85%
	-15°C	65%
Self-discharge (25°C)	3 month	Remaining Capacity: 91%
	6 month	Remaining Capacity: 82%
	12 month	Remaining Capacity: 65%
Nominal operating temperature	25°C ± 3°C (77°F ± 5°F)	
Operating temperature range	-15°C ~ 50°C (5°F ~ 122°F)	
Float charging voltage(25°C)	6.80 to 6.90V	
Cyclic charging voltage(25°C)	7.25 to 7.45V	
Maximum charging current	1.05A	
Terminal material	Copper	
Maximum discharge current	53A(5 sec.)	

- ◆ Absorbent glass mat technology;
- ◆ Recognized by UL & CE;
- ◆ ABS container.

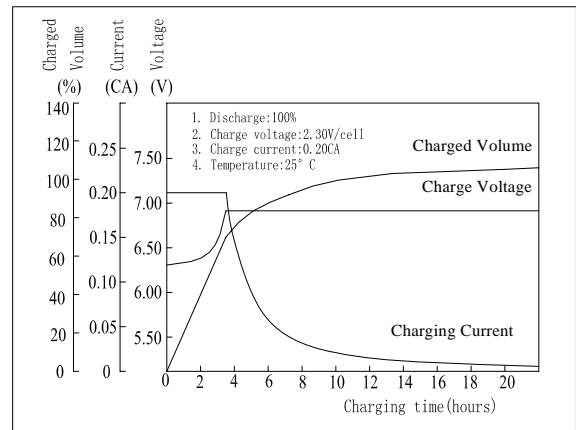
**Constant Current Discharge Characteristics (A, 25°C)**

F.V/TIME	5min	10min	15min	30min	60min	3h	5h	10h	20h
4.80V	12.0	7.51	6.08	3.30	2.18	0.80	0.57	0.31	0.175
5.10V	11.4	7.13	5.84	3.17	2.09	0.79	0.56	0.31	0.175
5.40V	10.7	6.70	5.55	3.01	1.99	0.77	0.55	0.30	0.165

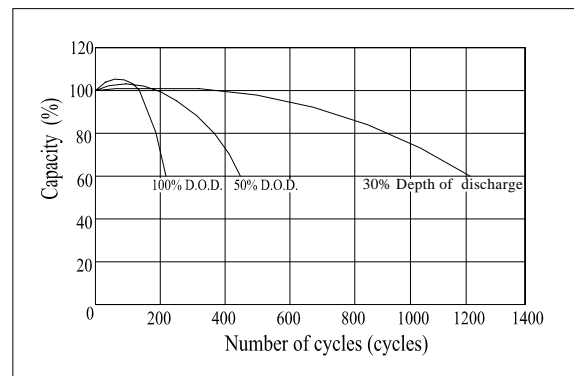
**Constant Power Discharge Characteristics (Watt, 25°C)**

F.V/TIME	5min	10min	15min	30min	60min	3h	5h	10h	20h
4.80V	67.0	42.4	34.7	18.9	12.6	4.75	3.40	1.86	1.05
5.10V	63.6	40.2	33.3	18.2	12.1	4.69	3.34	1.86	1.05
5.40V	59.7	37.8	31.6	17.2	11.5	4.57	3.06	1.80	0.99

**Charging Characteristics(25°C)**



**Cycle Life(25°C)**



Note: Floating life at 20°C designed for 3 to 5 years.