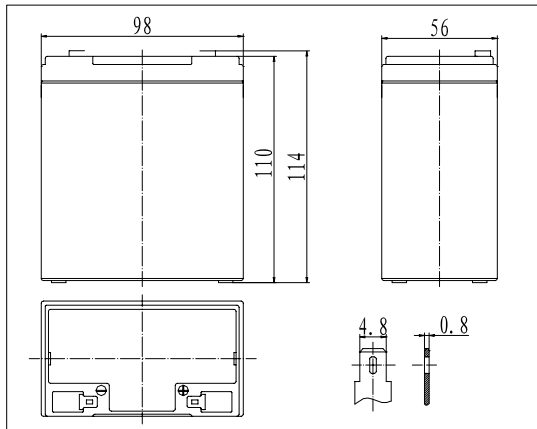
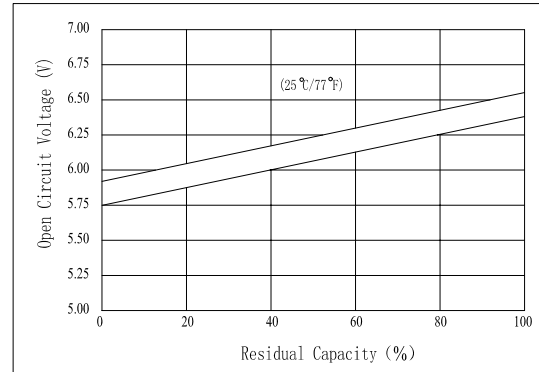


Dimensions



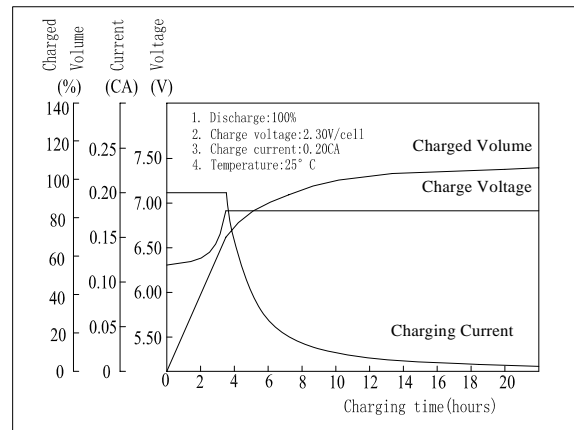
The Relationship for Open Circuit Voltage and Residual Capacity (25°C)



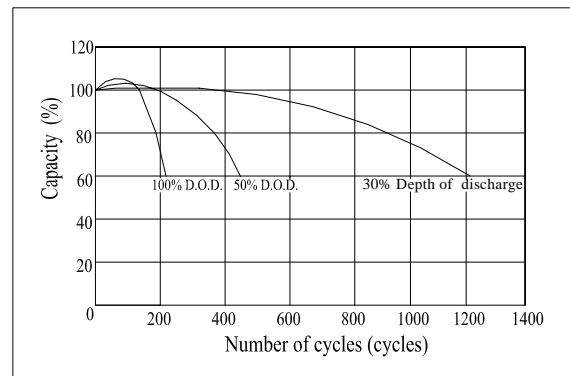
Specifications

Nominal Voltage	6 V	
Capacity(20HR, 25°C)	8 Ah	
Dimension	Length	98mm (3.86inch)
	Width	56mm (2.20inch)
	Height	110mm (4.33inch)
	Total Height	114mm (4.45inch)
Approx. Weight	1.35kg (2.95lbs)	
Internal resistance (Fully charged, 25°C)	Approx. 13mΩ	
Capacity affected by temperature (20HR)	40°C	102%
	25°C	100%
	0°C	85%
	-15°C	65%
Self-discharge (25°C)	3 month	Remaining Capacity: 91%
	6 month	Remaining Capacity: 82%
	12 month	Remaining Capacity: 65%
Nominal operating temperature	25°C ± 3°C (77°F ± 5°F)	
Operating temperature range	-15°C ~ 50°C (5°F ~ 122°F)	
Float charging voltage(25°C)	6.80 to 6.90V	
Cyclic charging voltage(25°C)	7.25 to 7.45V	
Maximum charging current	2.4A	
Terminal material	Copper	
Maximum discharge current	120A(5 sec.)	

Charging Characteristics(25°C)



Cycle Life(25°C)



Note: Floating life at 20°C designed for 3 to 5 years.

- ◆ Absorbent glass mat technology;
- ◆ Recognized by UL & CE;
- ◆ ABS container.

Constant Current Discharge Characteristics (A, 25°C)

F.V/TIME	5min	10min	15min	30min	60min	3h	5h	10h	20h
4.80V	33.0	21.5	16.0	9.35	5.50	2.13	1.36	0.77	0.41
5.10V	31.4	20.4	15.4	8.98	5.28	2.10	1.34	0.76	0.40
5.40V	29.5	19.2	14.6	8.53	5.02	2.06	1.31	0.76	0.40

Constant Power Discharge Characteristics (Watt, 25°C)

F.V/TIME	5min	10min	15min	30min	60min	3h	5h	10h	20h
4.80V	184	121	91.2	53.6	31.8	12.7	8.12	4.63	2.44
5.10V	175	115	87.6	51.4	30.6	12.5	8.00	4.59	2.41
5.40V	164	108	83.2	48.9	29.0	12.2	7.84	4.59	2.40